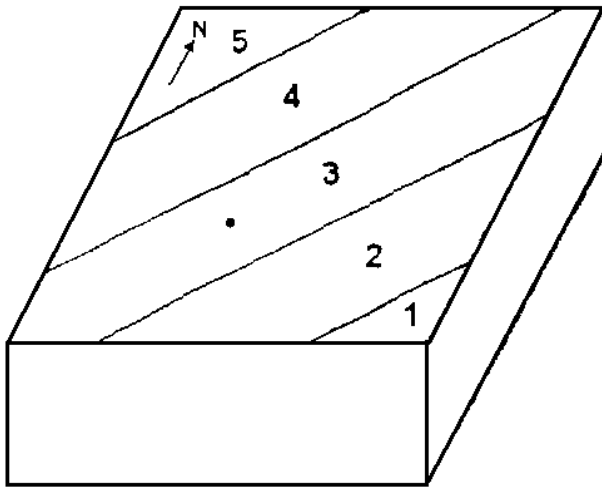
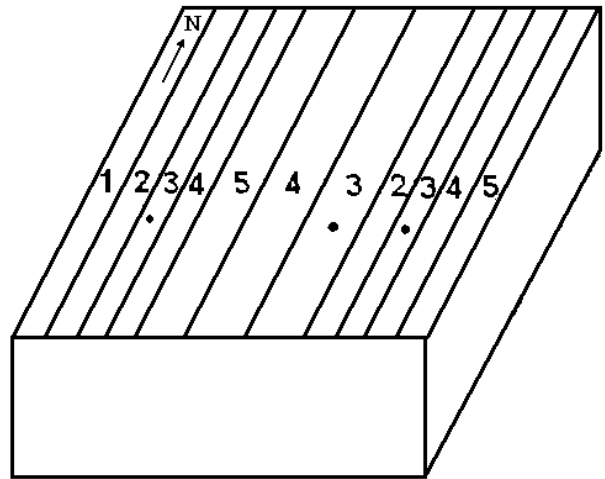


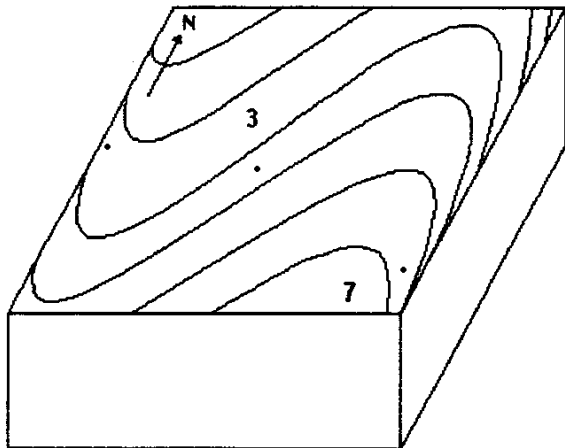
## PRACTICE STRUCTURE QUIZ



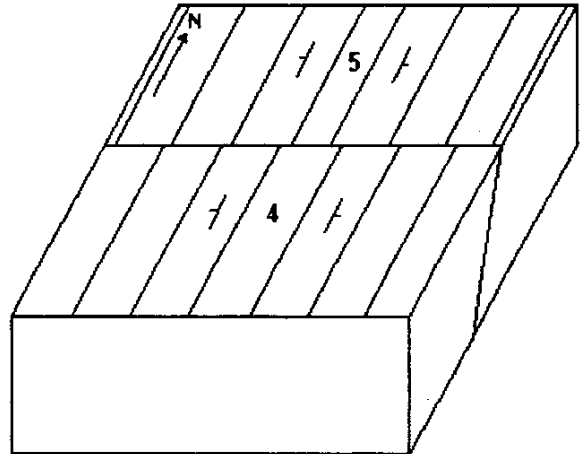
1. Complete the block showing a 60° dip
2. Place a dip and strike symbol at the dot showing the amount and direction of dip.
3. Estimate the strike and write the verbal expression for the strike and dip below.



1. Complete the block.
2. Place dip and strike symbols at the dots
3. Dash in axial planes.
4. Put appropriate fold symbols on top.



1. Complete the block.
2. Number all layers on air sides.
3. Place dip and strike symbols at the dots.
4. Dash in axial planes.
5. Use appropriate fold symbols, including plunge direction



1. Complete the block.
2. Number all layers on all sides.
3. Place U & D symbols on top of the block and arrows on the side to indicate the direction of fault displacement.
4. Place a symbol on top of the block to indicate the fault dip direction and estimate its amount of dip.
5. Name the fault: \_\_\_\_\_